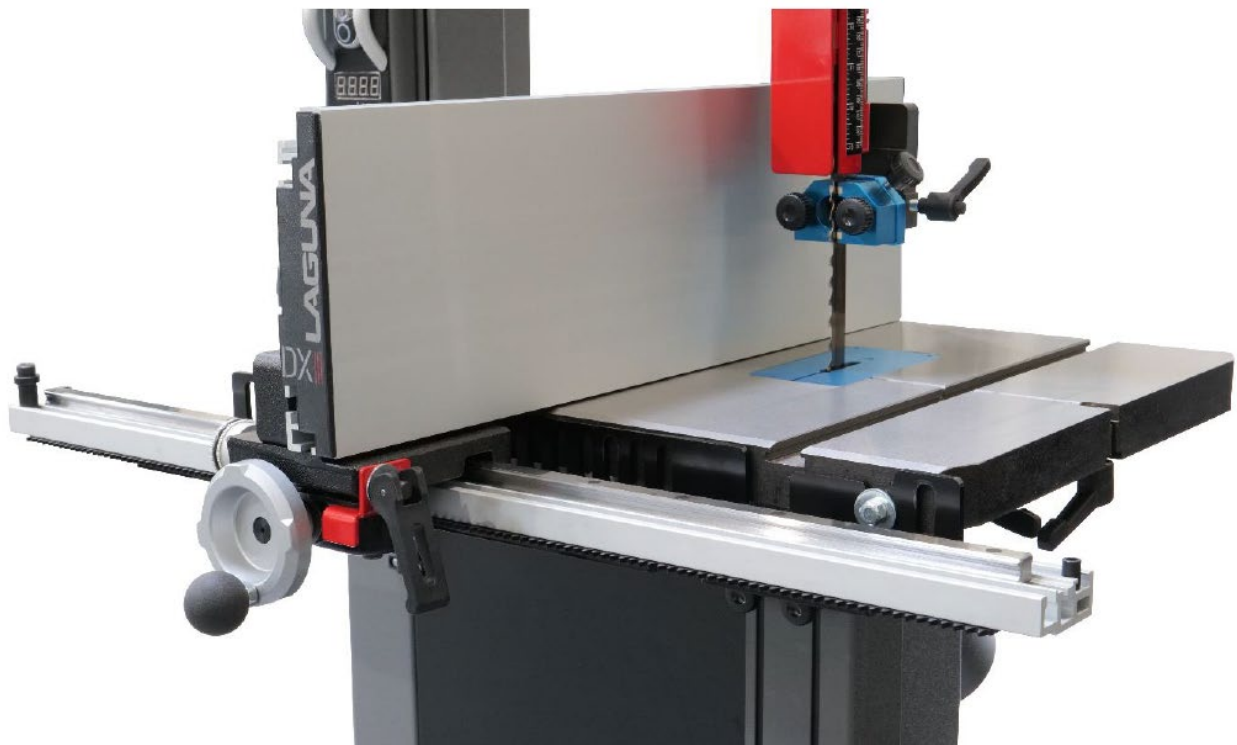




# 151-DX3

## IGM LAGUNA DX3 DriftMaster Fence System

Manual



Producer

**Laguna Tools Inc.**

744 Refuge Way, Suite 200 Grand Prairie, Texas 75050

USA

Phone: +1 800-234-1976

Website: [www.lagunatools.com](http://www.lagunatools.com)

Distributor

**IGM nástroje a stroje s.r.o.**

Ke Kopanině 560, 252 67, Tuchoměřice

Czech Republic, EU

Phone: +420 220 950 910

E-mail: [sales@igmttools.com](mailto:sales@igmttools.com)

Website: [www.igmttools.com](http://www.igmttools.com)

2024-11-08

151-DX3 LAGUNA DX3 DriftMaster Fence System Manual EN v1.01.01 A4ob  
VZOR\_Návod k obsluze STROJ EN v1.01.00



PDF ONLINE  
[www.igmttools.info](http://www.igmttools.info)



# EN – English Manual

## Contents

1. Product Specifications.....	1
2. Safety.....	1
2.1 Environment.....	1
3. Product Description.....	1
4.1 Package Contents.....	2
3.2 Parts Description.....	2
3.3 Fence Operation.....	3
4. Setup.....	4
4.1 Fence Assembly.....	4
4.2 Fence Setup.....	5
4.3 Fence Adjustments.....	7
4.4 Drift Adjustment.....	8
4.5 Scale Adjustment.....	8
5. Maintenance and Inspection.....	8
6. Parts List.....	9

## 1. Product Specifications

Fence Length:	578 mm
Fence Height (vertical / horizontal position):	184 / 17 mm
Maximum Fence Travel:	660 mm for LAGUNA bandsaws (rail travel max 740 mm)
Travel per One Rotation:	circa 7 mm
Fence Tilt:	10° left, 10° right
Weight:	12,3 kg
Shipping Weight:	14 kg

## 2. Safety

**Warning!** Read all instructions and safety guidelines. Failure to follow safety instructions may result in damage to the machine and serious injury to the operator. Keep the manual for future reference.

- The product may be dangerous if not used properly.
- Keep children and pets away from packaging materials supplied with this product.
- Replace damaged parts immediately. Use only original spare parts.
- The product may be used, assembled, and maintained only by persons familiar with its operation and aware of potential danger. No changes to the product may be made!
- Carry out maintenance regularly.
- Keep the product and the surrounding area clean and well-lit.
- Carry out assembly, repairs and maintenance only when the machine is disconnected from the power supply.
- Keep children and other persons from moving freely around the workplace. Keep the product out of reach of children and unqualified persons. Do not allow anyone unfamiliar with the product and this manual to operate the product.
- Do not leave the product in a damp environment and do not expose it to rain.

Do not attempt to remove the fence assembly from the rail assembly. Do not lift the fence assembly and do not slide the fence assembly from the rail. Damage to the linear guide system may occur. The fence and rail must always remain as one unit; do not separate. Removal of the fence and rail assembly can be safely accomplished by removing the bolts securing the rail to the mounting bracket or by removing the bolts securing the mounting brackets to the saw.

### 2.1 Environment

Do not dispose of the appliance in the municipal waste. Electronic appliances must be collected and handed in for proper recycling. Recycle package material and other accessories. Observe safety regulations applicable in your country.

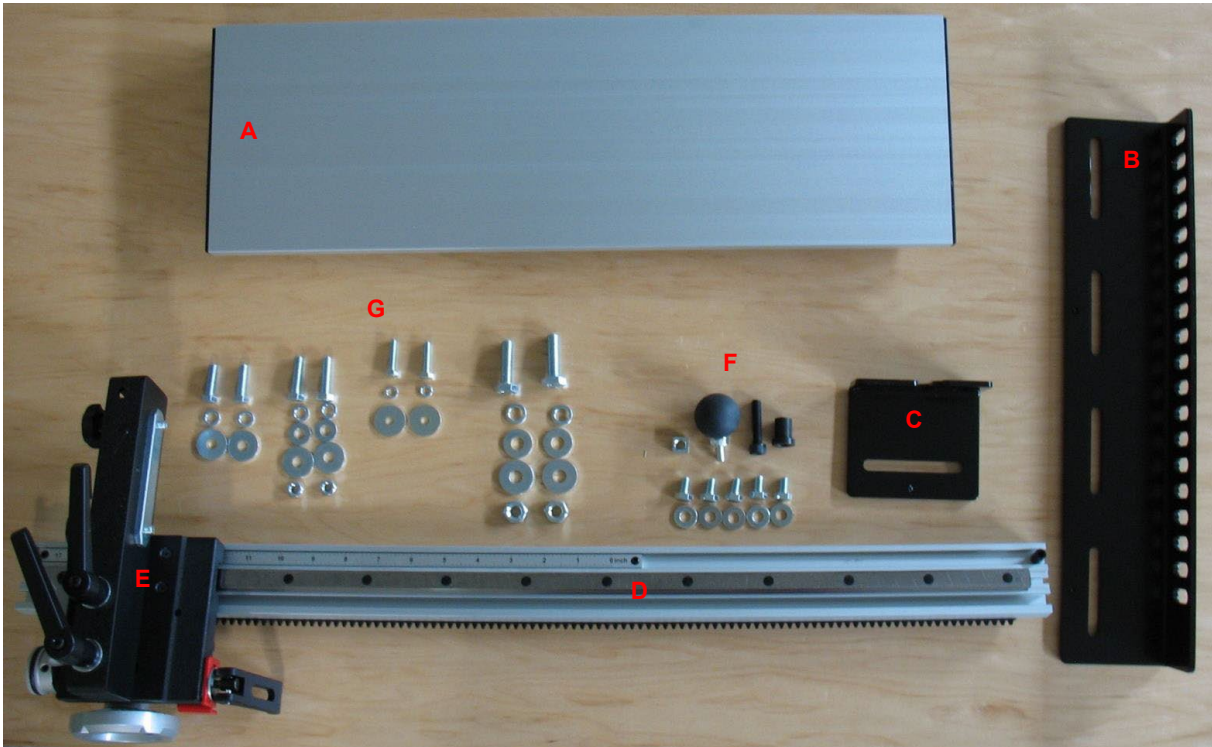


## 3. Product Description

Carefully observe the images below and familiarize yourself with the package contents and listed machine parts and features.

## 4.1 Package Contents

When unpacking, separate the product and all supplied parts from the packaging materials. Check that no parts have been damaged. If damage has occurred as a result of transport, contact your supplier immediately.



- A. Fence
- B. Large Bracket
- C. Small Bracket
- D. Rack & Pinion Rail with Scale
- E. Adjustment Assembly
- F. Rail Mounting Hardware
- G. Bracket Mounting Hardware

Bracket Mounting Hardware Contents:

1. LAGUNA



2. JET, Powermatic, Rikon - M8



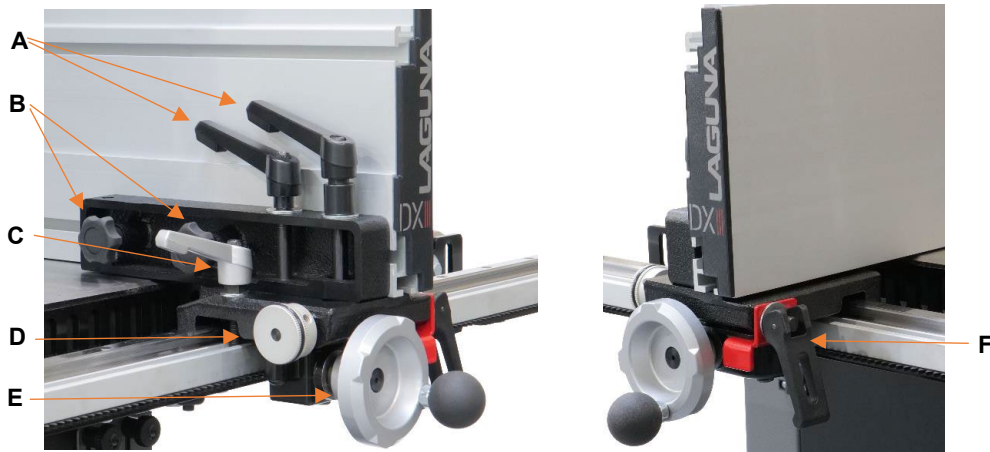
3. Powermatic – M6



4. JET, Rikon – M10



## 3.2 Parts Description



- A. Drift Lock
- B. Fence Lock Knob
- C. Fence Travel Lock
- D. Drift Knob

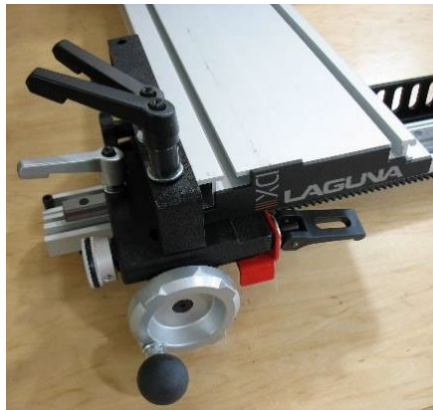
- E. Handwheel
- F. Lock Lever for Micro Adjustment with Red Slider

### 3.3 Fence Operation

The fence can be moved forward and backward by loosening the two fence lock knobs.



The fence can be repositioned to the horizontal position by loosening the two fence lock knobs.

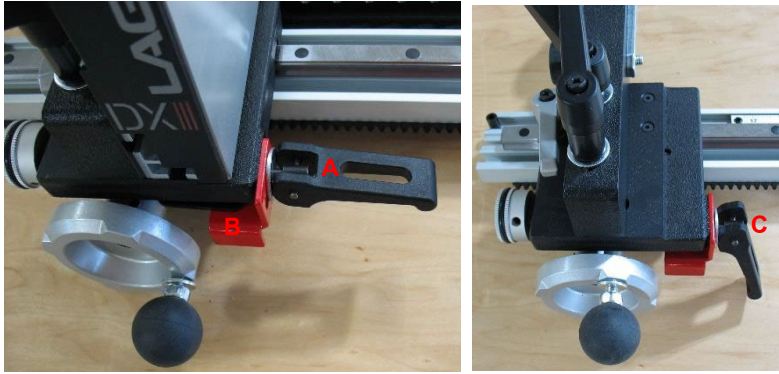


The fence can be moved left and right rotating the handwheel after loosening the fence travel lock. Lock the fence travel lock after choosing the right position. One handwheel rotation moves the fence approximately 7 mm.





The fence can be moved quickly by releasing (lifting) the lock lever for micro adjustment (A) and extending the red slider (B). To return to micro adjustment mode, check that the red slider is seated and engage the lock lever (C).



**Warning!** Always make sure that the lock lever is engaged and the red slider seated.

#### 4. Setup

Approximate assembly and setup time: 30 mins

##### 4.1 Fence Assembly

1. Insert the scale, with the desired measuring system (inches or mm) facing up, into the front channel of the rail.



2. Screw in the black stop stud into the hole on the right side. Tighten with a hex key.



3. Install the black knob into the hole of the handwheel. Tighten the nut.



4. Loosen the two black fence lock knobs. Slide the fence on and tighten both knobs.

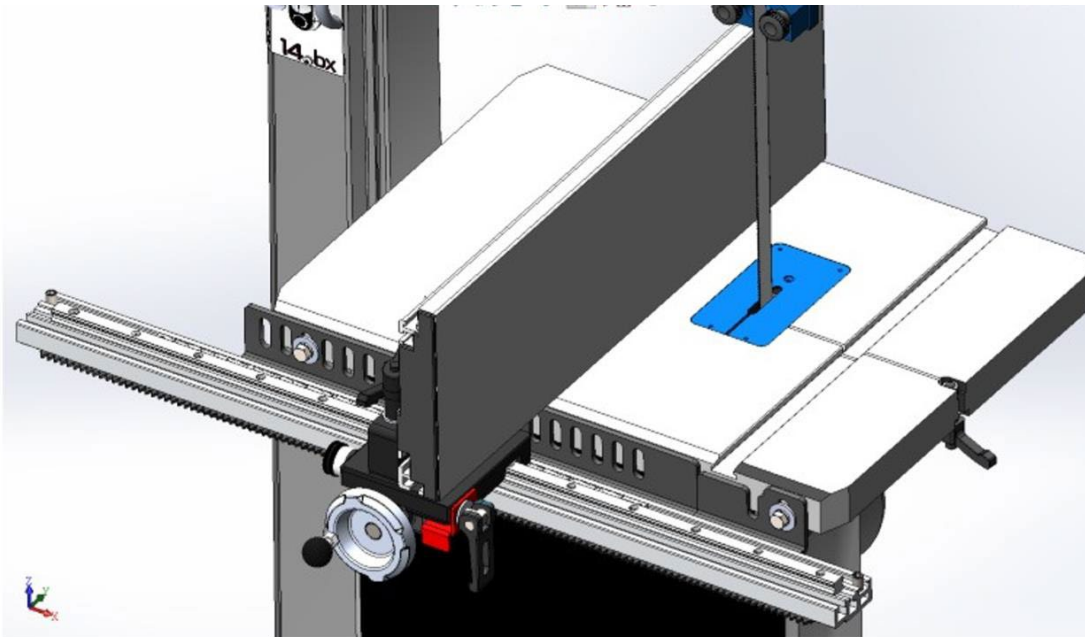


## 4.2 Fence Setup

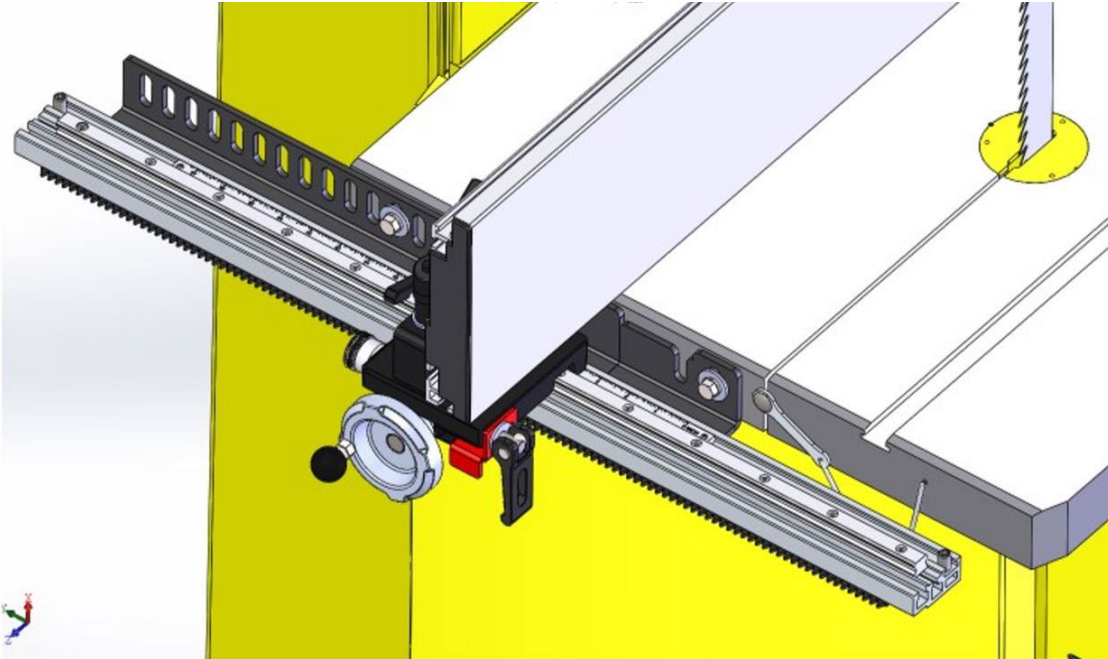
There are several possible mounting positions depending on the model of the saw and desired fence location. Below are two of the most common mounting scenarios. Mounting locations other than those shown below are possible, depending on your specific circumstances.

- Do not place the fence mounting bracket over blade changing slot in table.
- If the large bracket extends over the table of your saw, it can be attached without the small bracket.
- If your saw does not have mounting holes on the front of the table, holes can typically be drilled to align with the openings in the mounting brackets.
- Bracket mounting hardware is included for different bandsaws, but it may not be the correct hardware depending on your saw configuration. Then, the material will have to be purchased separately.

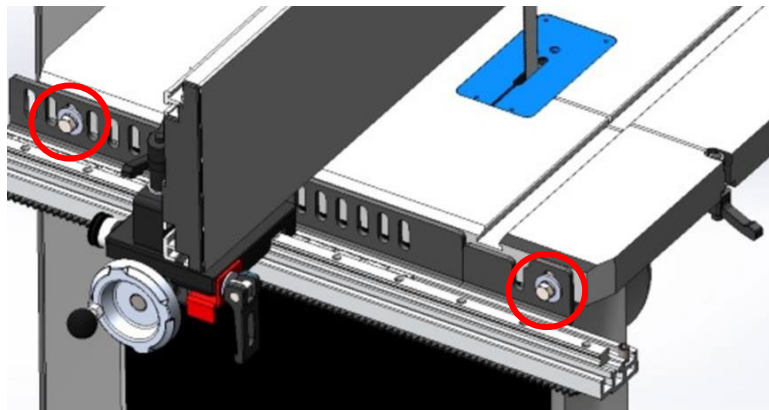
### 1. Option



## 2. Option

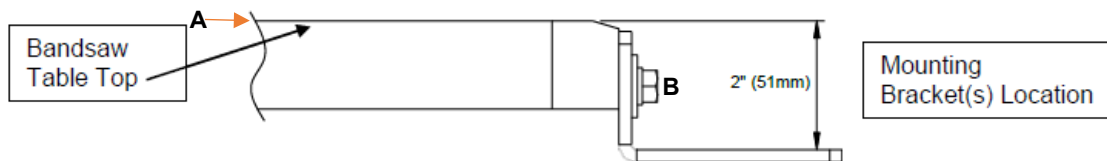


1. Attach both brackets to the table using two bolts. Finger tighten the bolts.

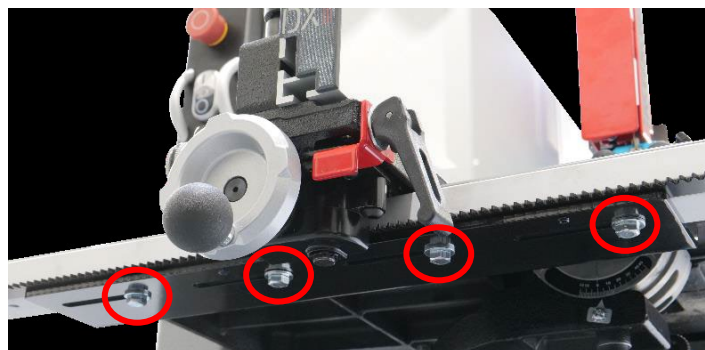


Note: Do not place the fence mounting bracket over blade changing slot in table.

2. Make sure the brackets (B) are aligned and flush with each other, parallel to the tabletop, and approximately 50 mm below the top of the table (A). Tighten the bolts.

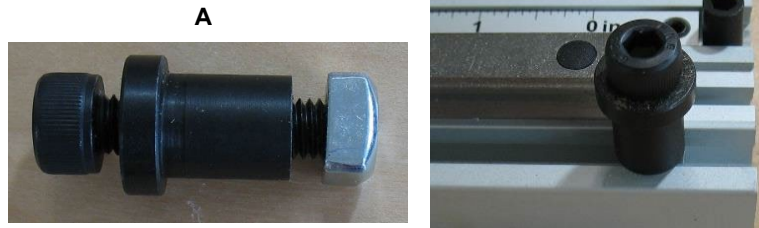


3. Attach the fence assembly to the mounting brackets using four or five bolts (one bracket or two brackets). Make sure the rail is parallel to the edge of the tabletop and tighten the bolts.





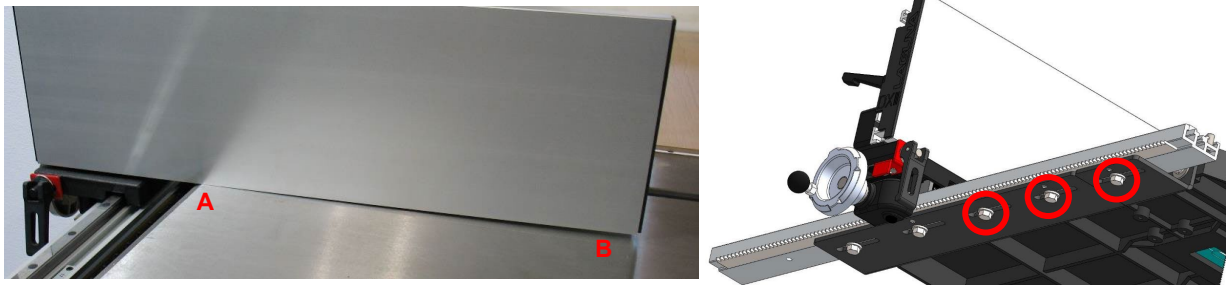
4. Assemble the reference stop (A). Install the reference stop by sliding it into the second channel. It can be used on either the right or left side of the fence. Tighten in place when utilizing it as a reference for repeated cuts.



### 4.3 Fence Adjustments

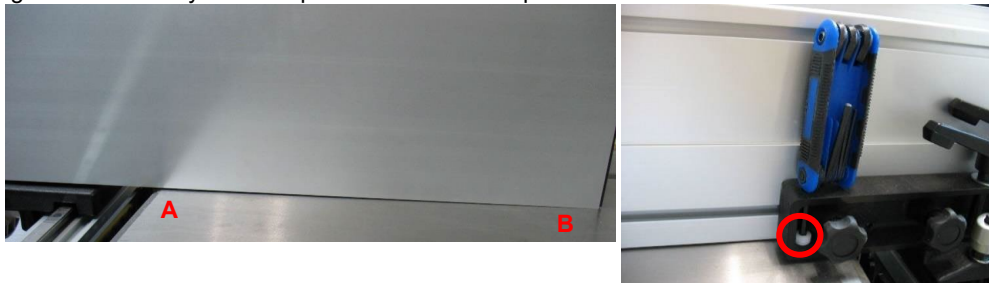
When the fence is assembled and attached to the bandsaw, check that the fence is parallel to the top of bandsaw table (similar gap along the entire length of the alu fence). If not, follow adjustments below.

1. If the fence is closer to the table at the front (A), with a larger gap at the end (B), the fence can be adjusted by loosening the four mounting bolts equally (or five if both brackets are used). With the bolts loose, tighten the two (or three) screws on the right side using a 3 mm hex key to raise the rail, thus raising the infeed side of the fence until it is parallel to the tabletop. Do not over tighten.



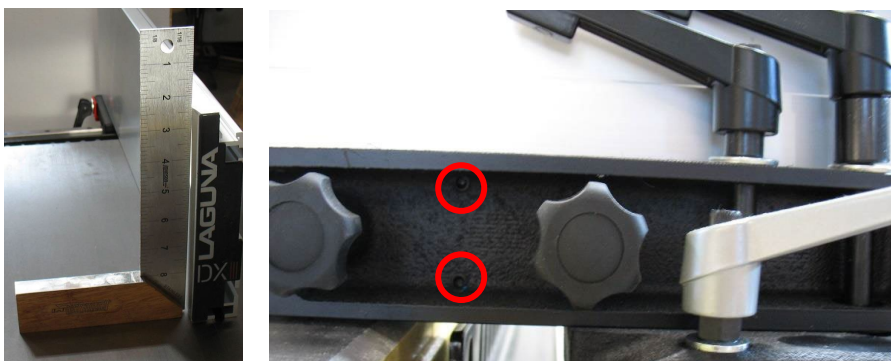
Note: If the rail and infeed side of the fence cannot be raised enough with this adjustment, the mounting brackets attached to the front of the table should be raised.

2. If the gap is larger at the front (A) and smaller at the end (B), the fence can be adjusted by rotating the plastic set screw using a 6 mm hex key until it is parallel to the tabletop.



Check to confirm the fence is perpendicular to the top of the table (90°). If not, follow adjustments below.

1. Slightly loosen the two fence lock knobs. Between the knobs are two set screws which will adjust the fence perpendicularity using a 3 mm hex key. Tighten the top set screw to tip the fence right. Tighten the bottom set screw to tip the fence left. Only one set screw should be contacting the fence for perpendicular alignment. When the fence is perpendicular, tighten the two black lock knobs.





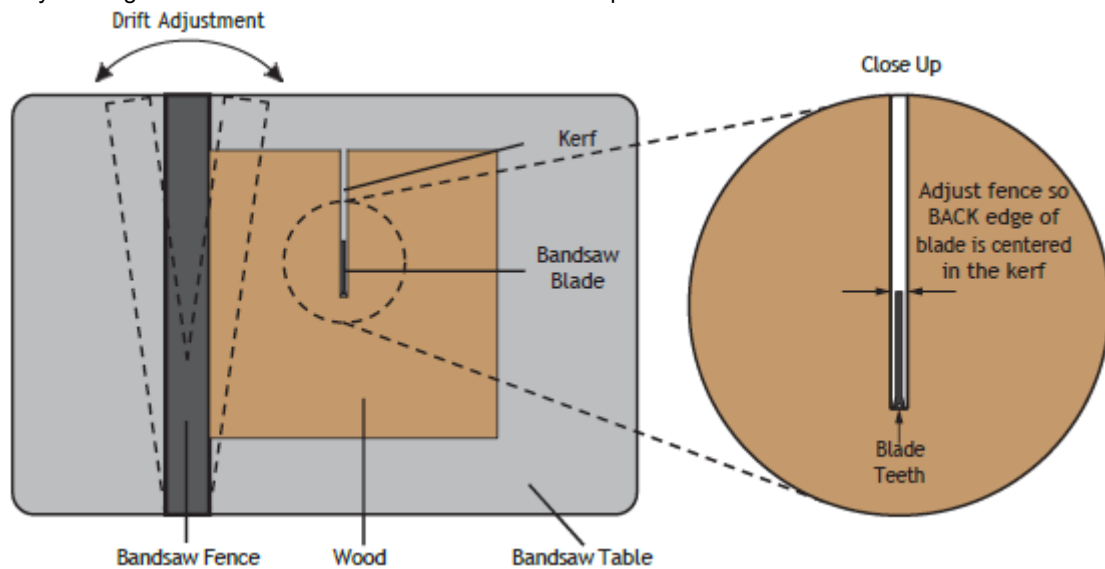
## 4.4 Drift Adjustment

Adjustment Checklist:

- Make sure the blade is sharp and in good shape. A dull blade can allow deflection beyond the natural drift of the blade.
- Use the widest blade available when testing and adjusting.
- Confirm correct blade tension.
- Confirm correct blade tracking.
- Confirm correct settings for all blade guides.

The fence can be adjusted for blade-drift by setting the fence parallel to the drifting of the bandsaw blade

1. Loosen the two drift locks. Rotate the drift knob clockwise or counter clockwise to set the fence parallel to the blade and lock the two drift locks.
2. Place a test piece of wood (at least 250 mm long and 12 mm thick) against the fence. Make sure the side of the test piece along the fence is straight and smooth. Cut into the test piece but do not cut through. Turn the bandsaw OFF. Leave the test piece on the table. When the blade has stopped moving, inspect the back edge of the blade. The back edge should be in the centre of the saw kerf, when the fence is adjusted properly. If the back edge is not centred, adjust the fence by rotating the drift knob and make another test cut. Repeat until the back of the blade is centred.



## 4.5 Scale Adjustment

After the bandsaw blade has been properly tensioned and the fence has been adjusted for blade drift, move the fence close to the blade. Using a ruler, measure the distance between the blade and the fence. Slide the scale to the same measurement. Tighten the screws on both sides of the scale. Be careful not to overtighten the screws.



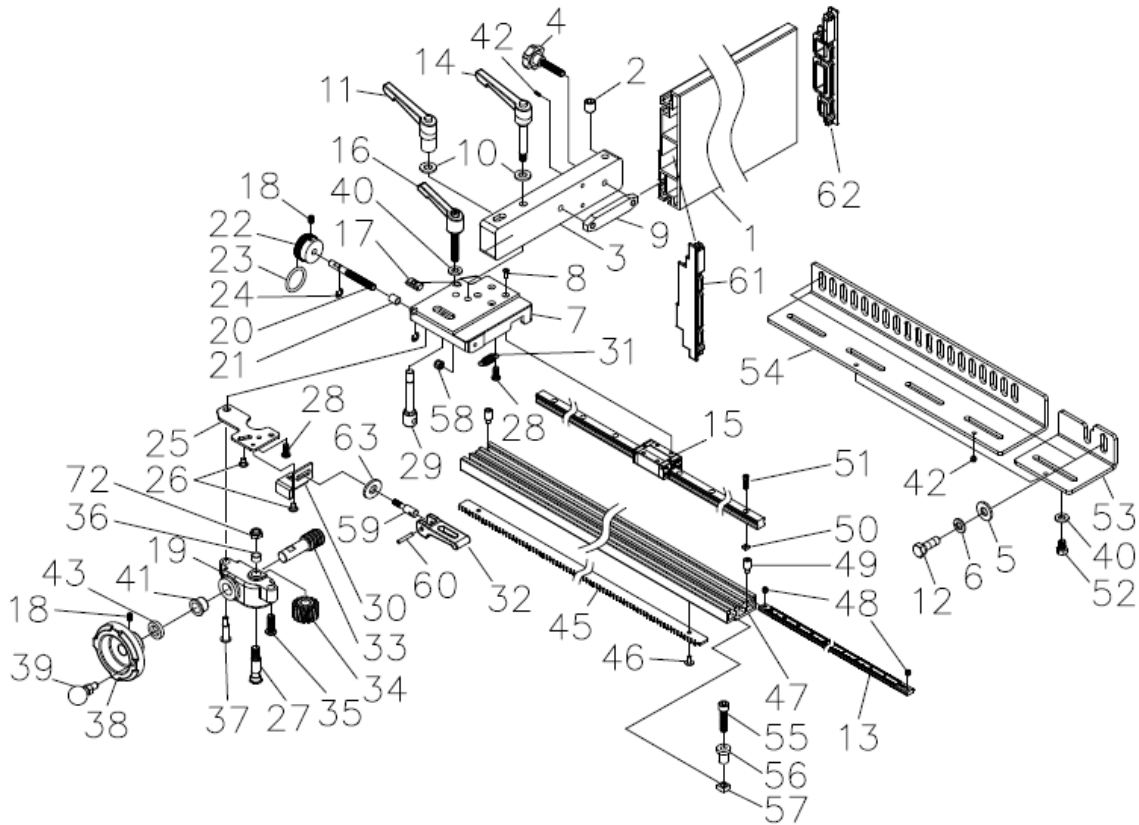
## 5. Maintenance and Inspection

**Caution!** Disconnect the machine from the power supply before maintenance and inspection.

**Carry out the following tasks regularly:**

1. Keep the fence clean.
2. Once per month, apply a light grease to the adjusting screw for drift adjustment & fence tilt (#20 in Parts List section).
3. Once per month, apply a light grease to the worm gear (#33 & 34 in Parts List section).
4. Periodically check that all nuts and bolts are tight.

## 6. Parts List



Index	Part Number	Description	Specification	Qty
1	PBAND18BX2203-3-1	Aluminum Fence		1
2	PBAND1412-175-3-2	Plastic Adjusting Screw		1
3	110363-3	Fence Body		1
4	110363-4	Lock Knob		2
5	110363-5	Flat Washer	5/16"	4
6	PBAND1412-175-2-13	Lock Washer	5/16"	4
7	110363-7	Fence Head		1
8	110363-8	Phillips Flat Head Screw	M4x12	4
9	PBAND1412-175-3-9	Lock Bar		1
10	PBAND1412-175-12	Flat Washer	3/8"	4
11	110363-11	Lock Handle		1
12	PBAND1412-175-4-40	Hex Cap Screw	5/16-18UNCx1"	2
13	110363-13	Scale		1
14	110363-14	Lock Handle		1
15	110363-15	Linear Guide		1
16	110363-16	Lock Handle		1
17	110363-17	T-block		1
18	PBAND1412-175-43	Set Screw	1/4-20UNCx3/8"	2
19	110363-19A	Gear Base		1
20	110363-20	Adjusting Screw		1
21	110363-21	Bushing		1
22	110363-22	Knob		1
23	PLAREVO1836-1143	O-Ring	P29	1
24	110363-24	E-Ring	E6	2
25	110363-25	Plate		1
26	110363-26	Special Bolt		2
27	110363-27	Special Bolt		1
28	110363-28	Socket Head Button Screw	1/4-20UNCx5/8"	2
29	110363-29	Shaft		1
30	110363-30	Fast Handle		1
31	110363-31	Spring		1

32	110363-32	Fast Lock Handle		1
33	110363-33A	Worm		1
34	110363-34	Gear		1
35	110363-35	Socket Head Button Screw	5/16-18UNCx1"	1
36	110363-36	Bushing		1
37	110363-37	Special Bolt		1
38	PLAREVO1216-175	Handwheel		1
39	PLAREVO1836-181	Knob		1
40	PBAND1412-175-2-11	Flat Washer	5/16"	8
41	110363-41A	Oilite Bushing		1
42	PBAND1412-175-3-42	Set Screw	1/4-20UNCx1/4"	5
43	110363-43	Spacer		1
45	110363-45	Rack		1
46	110363-46	Phillips Flat Head Screw	M4x6	4
47	110363-47	Rail		1
48	110363-48	Set Screw	1/4-20UNCx1/4"	2
49	110363-49	Stop Bolt		2
50	110363-50	Square Nut	M4	13
51	110363-51	Socket Head Cap Screw	M4x16	13
52	110363-52	Hex Cap Screw	5/16-18UNCx1/2"	5
53	110363-53	Bracket-B		1
54	110363-54	Bracket-A		1
55	110363-55	Socket Head Cap Screw	M8x35	1
56	110363-56	Stop Bushing		1
57	110363-57	Square Nut	M8	1
58	110363-58	Nylon Inserted Lock Nut	M6	1
59	110363-59	Shaft		1
60	110363-60	Pin	D4x26	1
61	110363-61	End Cap-Front		1
62	110363-62	End Cap-Rear		1
63	110363-63	Flat Washer	M6	3
64	110363-64	Hex Cap Screw (not shown)	M8x30	2
65	110363-65	Hex Cap Screw (not shown)	M10x35	2
66	PBAND1412-175-42	Lock Washer (not shown)	1/4"	2
67	110363-67	Hex Cap Screw (not shown)	M6x25	2
68	PBAND1412-175-2-43	Lock Washer (not shown)	3/8"	2
69	PBAND1412-175-2-42	Flat Washer (not shown)	3/8"	2
70	110363-70	Hex Nut (not shown)	M8	2
71	110363-71	Hex Nut (not shown)	M10	2
72	PLAREVO1216-143	Nylon Inserted Lock Nut	3/8"	1